

# CYBERCLEAN®

## 2000 SERIES

FOR CHEMISTRIES NOT REQUIRING A RINSE

The CYBERCLEAN® 2000 Series is electrically operated to provide more application pressure than the CYBERCLEAN® Pneumatic machines.

### FEATURES:

- PLC process control
- Flexible programming
- Cooling coils in reservoir maintain chemistry temperature
- Single Reservoir
- Single button activation
- Counter-rotating spray wands
- Dedicated filtration system (on upgraded systems)

### OPTIONS:

- Filtration loop
- Closed loop exhaust
- Semi-automatic pump-out

Basic Models are built with cleaning chamber sizes of 16", 24", 32", & 40" square.



ASK US ABOUT OUR CUSTOM CLEANING EQUIPMENT!



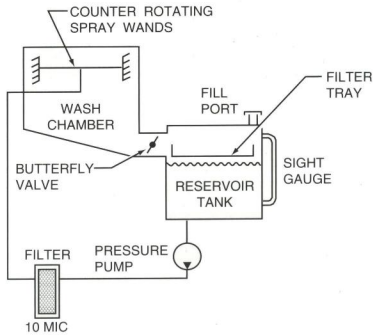
## EMC Global Technologies, Inc.

### Corporate Headquarters:

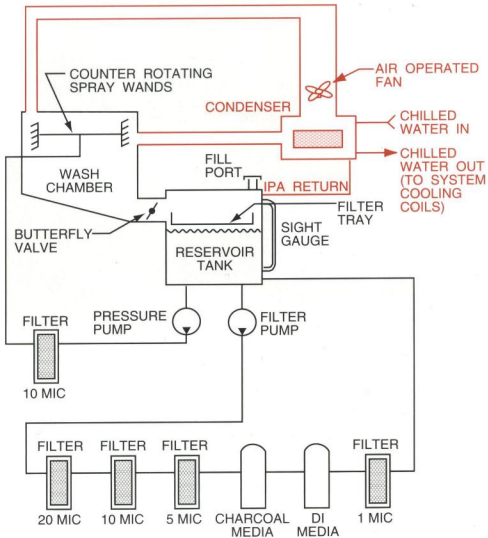
4059 Skyron Drive  
Doylestown, PA 18902  
Phone: (215) 340-0650  
Fax: (215) 340-1737

[www.emcgti.com](http://www.emcgti.com)

*Designing and Building Tomorrow's Technology Today!*



**SERIES 2000  
MODEL 32E**



**SERIES 2000  
MODEL 32E  
W/OPTIONS**